

MUFA 144 HILOS TIPO DOMO CABLRIX H-4091

The OSCV-144A fiber optic splice closure, allows an integral protection of the fiber optic, has an adequate design that allows a comfortable organization in the loose of loose tubes, which guarantees the radius of curvature of the optical fiber avoiding losses due to emission or distortion. Supports the installation of two space dividers for PLC.

The OSCV-144A fiber optic splice closure is a box that can be opened without the use of tools, made of high-quality polypropylene (PP).

This closure can be used in an environment of aggressive temperature. It is electrically insulated, resistant to cold, heat, corrosion, and chemicals.

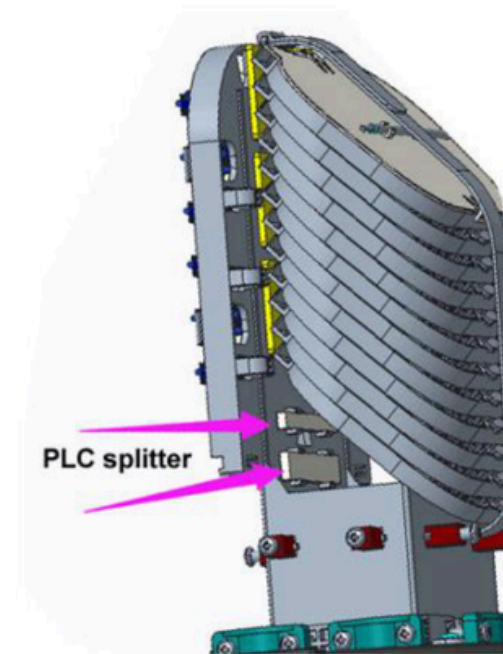
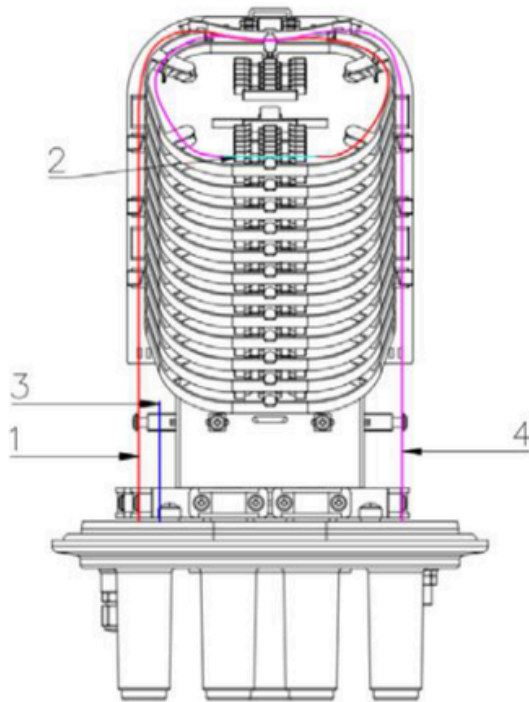
Features:

Specifications	
Material	High-Quality PP (polypropylene)
Dimension	200.6 x 287.4 x 380.5 mm
Splice Tray	Max. 12 splice trays for 12 - 24 FO.
Capacity	Normal capacity 144 FO, extended capacity 288 FO.
Adapters	Can charge Max. 18 SC simplex adapters.
Cable ports	7 cable ports: <ul style="list-style-type: none">• 6 round 18 mm cable ports• 1 Oval 2X18 mm port• Oval port supports cable entry without cutting.
Seal	Structure is mechanically sealed
IP Rating	IP68
Working Temperature	-35°C to 70°C
Mounting	Wall mounted bracket, pole mounted, aerial hanging, direct buried.

Contáctenos a través de:

Accessories:

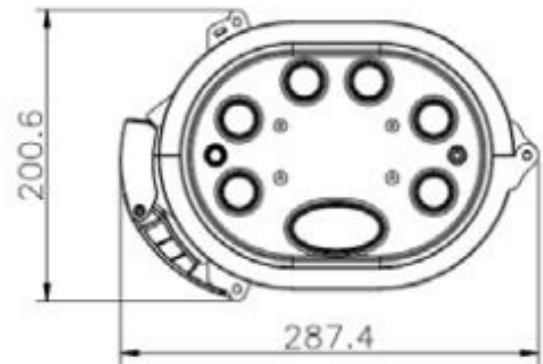
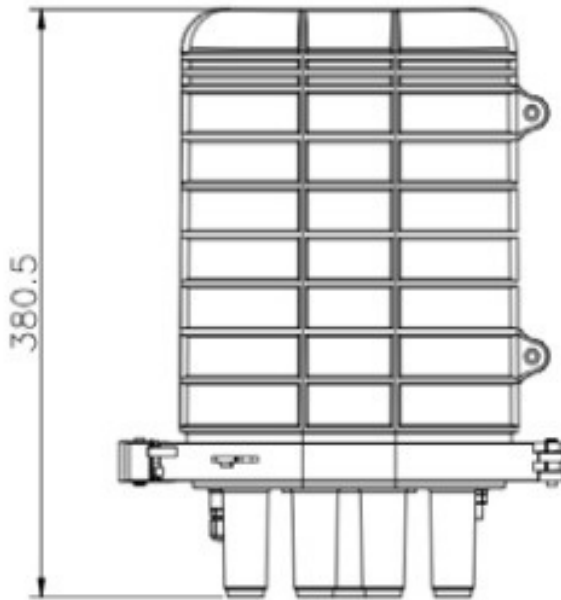
Item	Name	Specification	Qty
1	Plastic tube	Outside Φ 4mm, thickness 0.6mm, plastic, white	1 meter
2	Cable tie	3mm*120mm, white	12 pcs
3	Heat shrinkable protection sleeve	60*2.6*1.0mm	As per using capacity



1. Input fiber optic cable 2. Heat shrinkable protection sleeve
 3. Cable strengthen member 4. Output fiber optic cable

Contáctenos a través de:

Measures:



Applications:

- FTTH access network
- Telecommunication Networks
- CATV Networks
- Data communications Networks
- Local Area Networks

Contáctenos a través de:



Contáctenos a través de: