

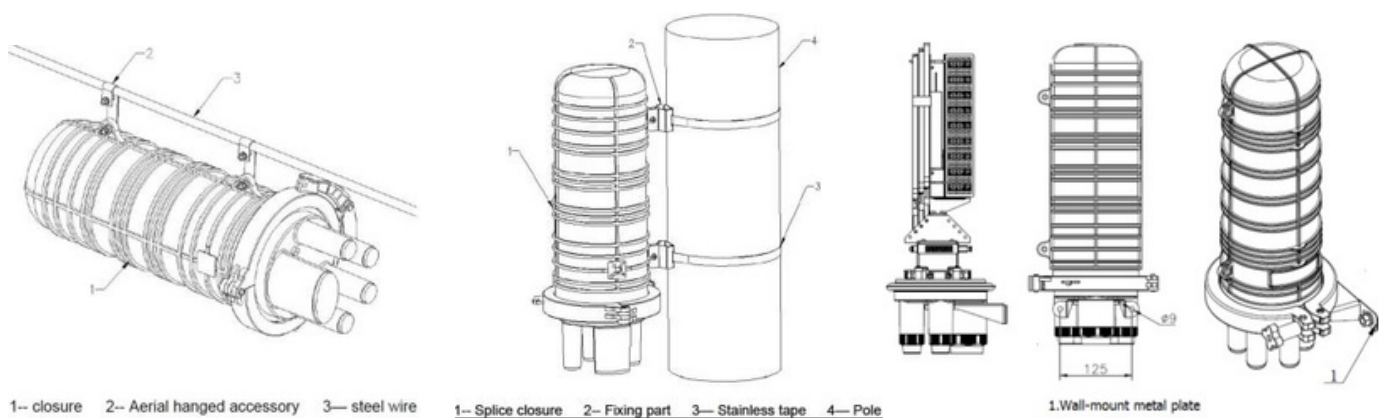
MUFA 120 HILOS T/DOMO MED CABLIX 137-3 H-4092

Vertical Fiber Optic Splice Closure OSCV-120 is widely applied to the splicing, distributing variable optical cables.

Features:

Specifications	
Material	High-impact Resistance PP with UV (Outer Shell), and ABS plastic (Internal Structure)
Splice Tray	5 Pcs, each with 24 cores
Cable ports	5 cable ports: <ul style="list-style-type: none"> • 4pcs round port $\phi 20\text{mm}$ • 1pc oval port $62.5 \times 39.5\text{mm}$ • supports cable entry without cutting. • All cable ports are heat shrink sealing.
Seal	All ports are mechanically sealed
IP Rating	IP68
Mounting	Wall-Mounting, Aerial Hanger, Pole-Mount, Buried.

* Hanging and Pole Fixing Accessories must be purchased separately.

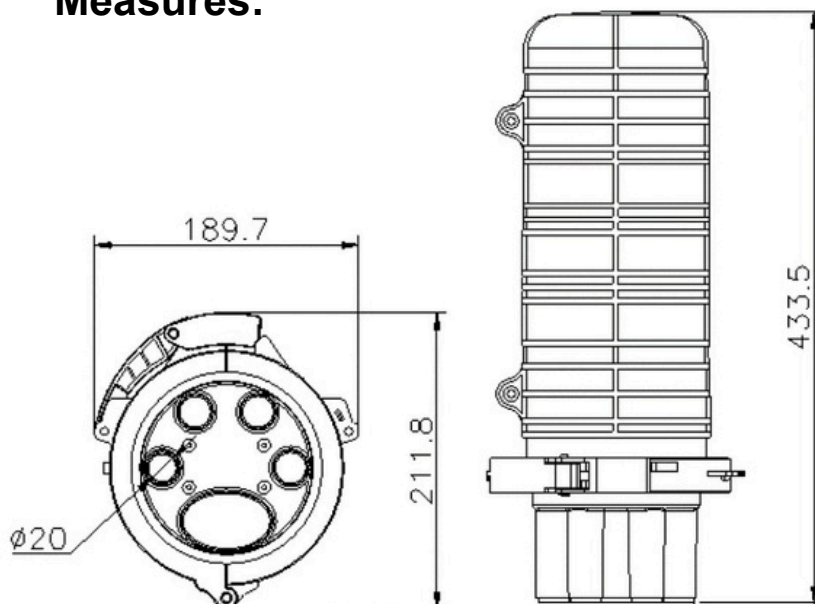


Contáctenos a través de:

Accessories:

Name	Specification	Unit	Qty(pcs)
Tube	D=Φ4mm thickness 0.6mm,white	M	2
Cable splitter	Size: S	Pcs	1
Silver foil	15cm*10cm (with adhesive)	Pcs	1
Heat shrinkable tube	Φ30*100mm/black	Pcs	4
Heat shrinkable tube	Φ60*150mm/black	Pcs	1
Plastic cable tie	3mm*120mm/white	Pcs	5
Splice protection sleeve	60MM*3.0*1.5	Pcs	According to Splice quantity
Insulating tape	0.15*17mm*8 /black	Pcs	1
Magic tape	350MM*15MM*3MM/black	Pcs	1
Abrasive paper	320# (280*60mm)	Pcs	1
Aerial kits	201 stainless steel	Sets	1

Measures:



Applications:

- FTTH access network
- Telecommunication Networks
- CATV Networks
- Data communications Networks
- Local Area Networks

Contáctenos a través de:



Contáctenos a través de: