

MUFA 12 PLANA PEQUEÑA CABLRX H-4649

OSCH-12 Fiber Optic Splice Closure — Compact, lightweight closure molded from high- quality ABS for reliable protection of fiber splices in access and distribution networks. Its special double “D” body design delivers a neat footprint for tight spaces, while mechanical-sealed cable entry/exit points and an IP65 rating ensure dependable performance outdoors or in harsh indoor areas.

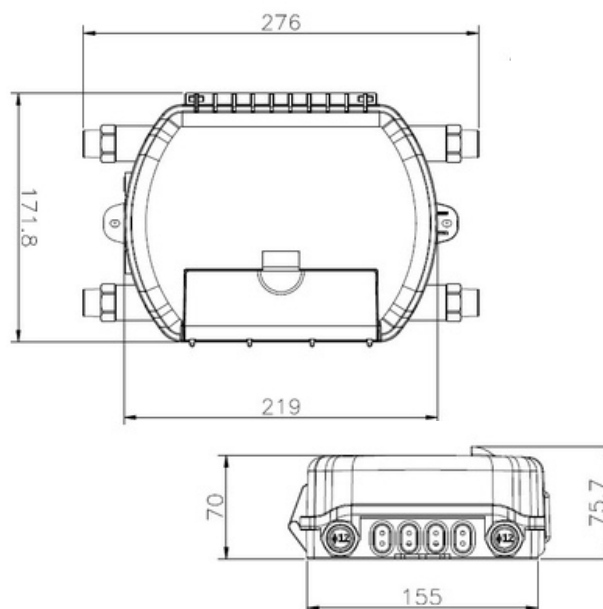
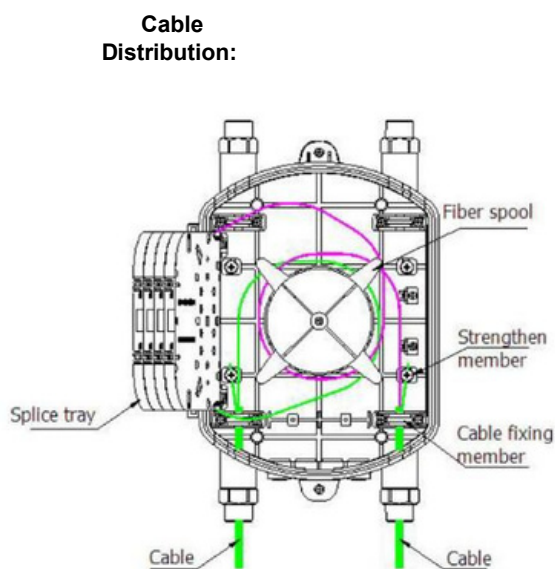
Features:

Max Capacity	Dimension	Material	SpliceTray
48 Fibers	276 X 171.8 X 75.7	PP	2 PCs (12 each)

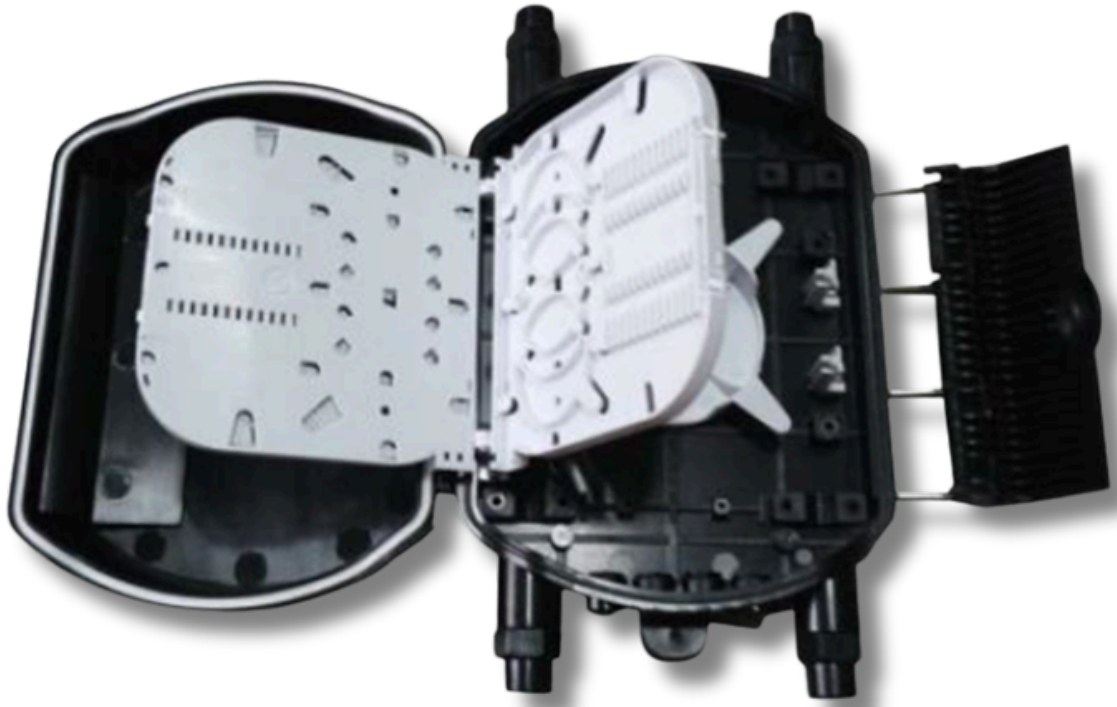
- Special double “D” body design: compact, low-profile form factor
- Mechanical sealing for cable input & output (no heat-shrink required)
- Waterproof rating: IP65 (dust-tight, protected against water jets)
- ABS housing for durability and corrosion resistance
- Suitable for splicing and distributing a variety of optical cables

Typical applications

- FTTH/FTTx access nodes, distribution points, wall/pole enclosures, repair junctions



Contáctenos a través de:



Contáctenos a través de: